

### STANDARD EQUIPMENT

3 YEAR LIMITED WARRANTY  
 Corrosion Resistant, Supersize Storage Compartments,  
 Weather-Resistant EPDM Closed-Cell Foam Seal on Toolboxes,  
 Toolboxes & Skirting Made of .125 Thickness Aluminum,  
 Polished Stainless Steel Latches w/ Key-Locking 'T' Handle,  
 Ready to accept Hillsboro B&W Conversion Kit, Camera Kit Integrated,  
 30K Mounting Plate w/ 2-5/16" Ball & Flush Mount Lid,  
 25K Rated 2-1/2" Receiver Tube (2" Adapter Included), 7-Wire Socket,  
 High Strength Aluminum Extruded Floor, Heavy Duty Tread Brite Tailboard ,  
 3" Aluminum I-Beam Crossmembers w/ Approx. 16" Spacing,  
 Heavy Duty 6" Tall Extruded Rubrail, Recessed Aluminum Castings for Taillights & Tag,  
 HD Adjustable Height Headache Rack w/ Square Tube Louvers,  
 Front Toolboxes Come Standard w/ One Movable Shelf,  
 3" Extruded Tie Rail w/ Stake Pockets,  
 4" x 2" Tube Steel Long Sills, Adjustable to 34", 38", & 42" Frames,  
 Tapered Rear w/ Step, Tapered Front on 96" Wide Dually Beds, 1-Fuel Filler Kit,  
 LED (6) Stop, Turn, & Tail, and (4) Back-up Lights, LED Clearance & Side Marker Lights,  
 Lights & Harness Installed, Sealed Wiring Harness w/ Plug-in Connections



## SINGLE WHEEL TRUCK

ITEM		WEIGHT(LBS)	REF#	LIST PRICE
ATXA000001	ATX84-102-38/42-56-36.5 F/G	FRAME-38"/42" C/A-56" HR-36.5" GM	AT880TX32	\$ 11,470
ATXA000002	ATX84-102-38/42-56-40 F/G	FRAME-38"/42" C/A-56" HR-40" FORD	AT880TX32	\$ 11,470
ATXA000003	ATX84-102-38/42-58-36.5 F/G	FRAME-38"/42" C/A-58" HR-36.5" RAM	AT880TX32	\$ 11,470
ATXA000004	ATX84-102-38/42-58-40 F/G	FRAME-38"/42" C/A-58" HR-40" FORD	AT880TX32	\$ 11,470
ATXA000005	ATX84-112-34-60-36.5 F/G	FRAME-34" C/A-60" HR-36.5" RAM/GM	AT690TX10	\$ 12,481
ATXA000006	ATX84-112-34-60-40 F/G	FRAME-34" C/A-60" HR-40" FORD	AT690TX10	\$ 12,481

## DUAL WHEEL TRUCK

ITEM		WEIGHT(LBS)	REF#	LIST PRICE
ATXA000007	ATX96-102-38/42-56-36.5 F/G	FRAME-38"/42" C/A-56" HR-36.5" GM	AT290TX57	\$ 12,022
ATXA000008	ATX96-102-38/42-56-40 F/G	FRAME-38"/42" C/A-56" HR-40" FORD	AT290TX57	\$ 12,022
ATXA000009	ATX96-102-38/42-58-36.5 F/G	FRAME-38"/42" C/A-58" HR-36.5" RAM	AT290TX57	\$ 12,022
ATXA000010	ATX96-102-38/42-58-40 F/G	FRAME-38"/42" C/A-58" HR-40" FORD	AT290TX57	\$ 12,022
ATXA000011	ATX96-112-34-60-36.5 F/G	FRAME-34" C/A-60" HR-36.5" RAM/GM	AT001TX02	\$ 12,990
ATXA000012	ATX96-112-34-60-40 F/G	FRAME-34" C/A-60" HR-40" FORD	AT001TX02	\$ 12,990
ATXA000013	ATX96-136-34-84-36.5 F/G	FRAME-34" C/A-80" HR-36.5" RAM/GM	AT601TX30	\$ 13,805
ATXA000014	ATX96-136-34-84-40 F/G	FRAME-34" C/A-80" HR-40" FORD	AT601TX30	\$ 13,805

### TOOL BOX DIMENSIONS

Bed Part #	Bed Size	Front Box	2nd Front Box	Rear Box
ATXA000001/2/3/4	84x102	*32"x39"x12.62"	x	18"x16.75"x10.62"
ATXA000005/6	84x112	36"x39"x15.62"	x	26"x16.75"x10.62"
ATXA000007/8/9/1	96x102	*32"x39"x18.62"	x	18"x16.75"x16.25"
ATXA000011/12	96x112	36"x39"x21.62"	x	26"x16.75"x16.25"
ATXA000013/14	96x136	36"x39"x21.62"	24"x39"x21.62"	26"x16.75"x16.25" & 24"x18.75"x16.25"

Interior toolbox dimensions are available upon request

### SPECIAL NOTES

- \* Front Toolboxes are measured at smallest point, top of box is deeper  
 Sizes are given LengthxHeightxDepth
- \*\* There are 2 different receiver hitch assemblies. One is adjustable to 38" and 42" frame spacings, and the other is for 34" frame spacing. If a non-standard frame spacing is required, the other hitch can be ordered as parts.
- \*\*\* This bed has a 58" ca but it fits the 56.9" ca Ram 8' box removal truck while maintaining a 3" cab to bed spacing  
 Sizes are given LengthxHeightxDepth

## **ATK SERIES ACCESSORIES AND OPTIONS (Not Installed)**

<u>MUDFLAPS</u>			<u>REF#</u>	<u>LIST PRICE</u>
233884	MUD FLAP -.375X12X12 W/ HILLSBORO	(\$38 Each \$76 Per Pair)	MI000TS29	\$ 38
233885	MUD FLAP -.375X24X12 W/ HILLSBORO	(\$44 Each \$88 Per Pair)	MI000TS34	\$ 44

<u>RECEIVER HITCH KIT (Installed)</u>			<u>REF#</u>	<u>LIST PRICE</u>
77259	Receiver Hitch Kit - S3000 34 Frame 25K	*	KI200EC81	\$ 365
77260	Receiver Hitch Kit - S3000 38,42 Frm 25K	**	KI300EC33	\$ 432

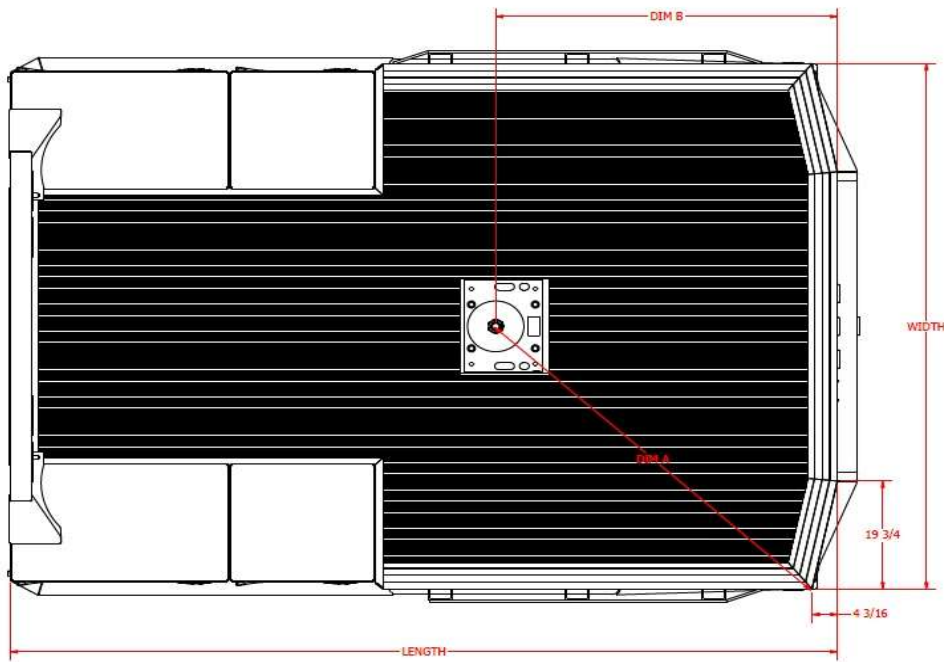
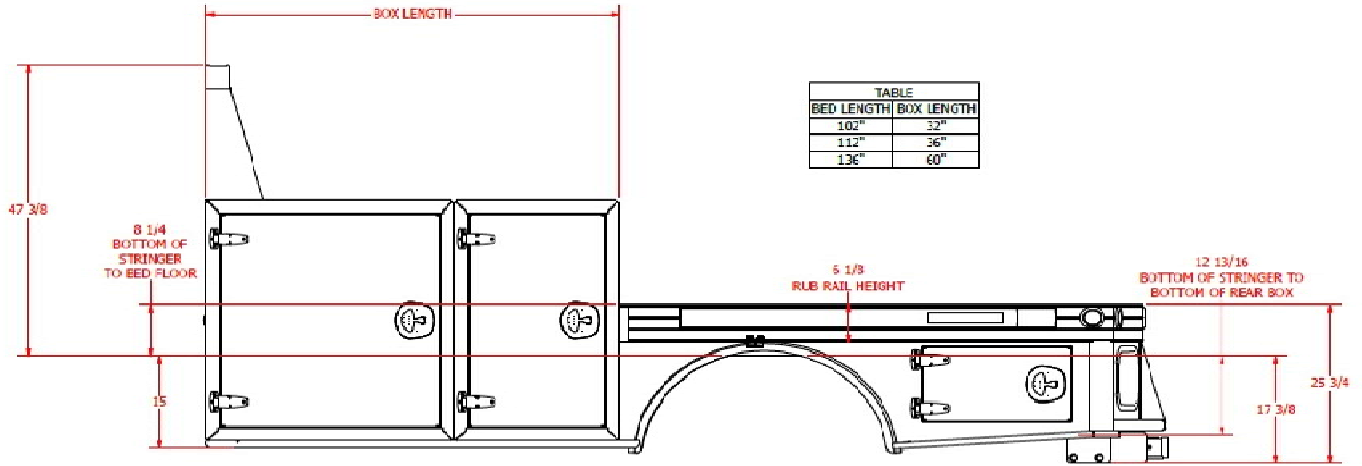
  

<u>FUEL ACCESSORIES</u>			<u>REF#</u>	<u>LIST PRICE</u>
72168	ALT HD Fuel Filler Kit - Series 2000		KI000EC39	\$ 51
74648	ALT DEF Filler Kit		KI000EC36	\$ 47

### SPECIAL NOTES

- \* For special applications on 86" or 102" long beds to adjust stringers in to 34"
- \*\* For special applications on 112" or 136" long beds to adjust stringers out to 38" or 42"

PRINTS



BED WIDTH	BED LENGTH	DIM A	DIM B
96"	102"	68 1/2"	53 1/8"
96"	112"	70 5/8"	56 1/8"
96"	136"	70 5/8"	56 1/8"