

STANDARD EQUIPMENT

- Horizontal Double Wall Construction
- Smooth Interior & Exterior Finish
- Two Air Spaces That Are Plexiglass Ready
- One Interior Partition & Two Compartments on 44x60
- Two Interior Partitions & Three Compartments on 48X72
- Slam Latch on Center Cross Partition
- Double Rear Doors



44 X 60 BOX

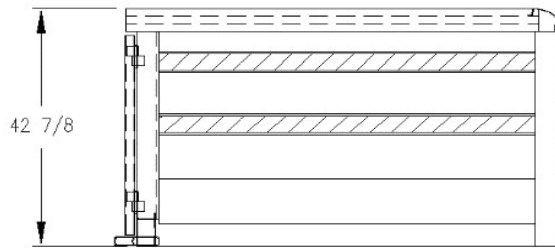
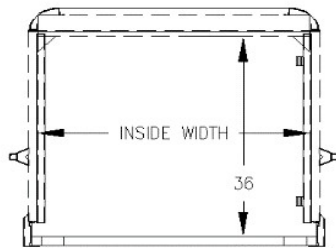
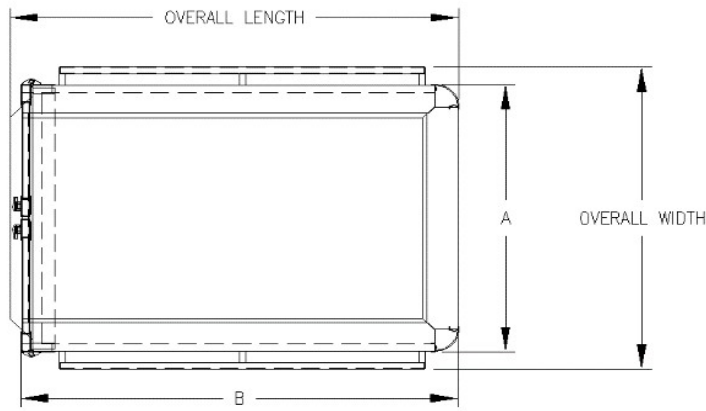
ITEM			WEIGHT(LBS)	REF#	LIST PRICE
67000	SB44-60-43 STOCK	Base ITEM	230	AL810NE67	\$ 2,425
67000-001	SB44-60-43 STOCK	w/ Plexiglass installed		AL120NE54	\$ 2,797
67000-002	SB44-60-43 STOCK	w/ Lights installed		AL120NE95	\$ 2,851
67000-003	SB44-60-43 STOCK	w/ Plexiglass & Lights installed		AL420NE85	\$ 3,227

48 X 72 BOX

ITEM			WEIGHT(LBS)	REF#	LIST PRICE
67001	SB48-72-43 STOCK	Base ITEM	285	AL220NE35	\$ 2,903
67001-001	SB48-72-43 STOCK	w/ Plexiglass installed		AL520NE54	\$ 3,317
67001-002	SB48-72-43 STOCK	w/ Lights installed		AL520NE60	\$ 3,325
67001-003	SB48-72-43 STOCK	w/ Plexiglass & Lights installed		AL820NE81	\$ 3,742

STOCK BOX OPTIONS

ITEM			REF#	LIST PRICE
67186	Plexiglass Kit for 44 x 60 Boxes, Dealer Installed		KI100KI90	\$ 247
67174	Plexiglass Kit for 48 x 72 Boxes, Dealer Installed		KI200KI20	\$ 286



BOX WIDTH	BOX LENGTH	DIM A	DIM B	OVERALL WIDTH	OVERALL LENGTH	INSIDE WIDTH
44"	60"	44"	60"	50-1/4"	61-7/8"	41"
48"	72"	48"	72"	54-1/4"	73-7/8"	45"

TITLE

STOCK BOX DIMENSIONS

DWG NO.	REV	DATE	DRAWN BY	SCALE	PAGE
	A	10-14-19	APD	1/20	

Hillsboro Industries
 220 Industrial Road
 Hillsboro, KS 67063

1-800-835-0209
 hi@hillsboroindustries.com
 www.hillsboroindustries.com