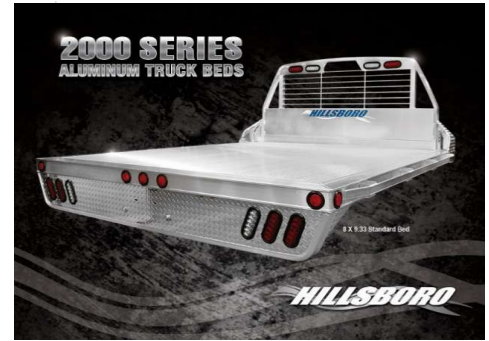


STANDARD EQUIPMENT

3 YEAR LIMITED WARRANTY
High Strength Aluminum Extruded Floor, Heavy Duty Extruded Rubrail, 4" x .125 Aluminum Channel Crossmembers w/ Approx. 12" Spacing, Extruded Aluminum Tie Rail w/ Stake Pockets, Corrosion Resistant, Adjustable Height Louvered Headache Rack w/ LED Lights , 3" Steel Channel Long Sills are Adjustable to 34", 38" or 42" Frame, Heavy Duty Treadbrite Tailboard, LED Clearance & Side Marker Lights, LED (6) Stop, Turn, & Tail, and (4) Back-up Lights, Dual Tag Lights, Sealed Wiring Harness w/ Plug-in Connections, 30K Mounting Plate w/ 2-5/16" Ball & Flush Mount Lid, Ready to Accept Hillsboro B&W Conversion Kit



7'0" WIDTH

ITEM			WEIGHT(LBS)	REF#	LIST PRICE
74686-001	ALT7.0-6.0-A-30-EXT F/G	C/A 30", GN BALL IS DELETED		AL320FG60	\$ 3,065
74207	ALT7.0-7.0-A-40-EXT 90 Deg F/G	C/A- 42"	433	AL130FG96	\$ 4,151
74208	ALT7.0-8.5-A-56-EXT 90 Deg F/G	C/A- 56"	485	AL330FG89	\$ 4,401
74216	ALT7.0-9.33-A-60-EXT 90 Deg F/G	C/A- 60"	503	AL430FG44	\$ 4,473

8'0" WIDTH

ITEM			WEIGHT(LBS)	REF#	LIST PRICE
74234	ALT8.0-8.5-A-56-EXT 90 Deg F/G	C/A- 56"	514	AL630FG34	\$ 4,719
74243	ALT8.0-9.33-A-60-EXT 90 Deg F/G	C/A- 60"	533	AL630FG88	\$ 4,790
74231	ALT8.0-11.33-A-84-EXT 90 Deg F/G	C/A- 84"	599	AL140FG54	\$ 5,395

8'6" WIDTH

ITEM			WEIGHT(LBS)	REF#	LIST PRICE
74402	ALT8.5-8.5-A-56-EXT 90 Deg F/G	C/A-56"	532	AL830FG54	\$ 5,005
74403	ALT8.5-9.33-A-60-EXT 90 Deg F/G	C/A-60"	547	AL930FG26	\$ 5,099
74405	ALT8.5-11.33-A-84-EXT F/G	C/A-84"	616	AL540FG55	\$ 5,916

STANDARD EQUIPMENT

3 YEAR LIMITED WARRANTY
 High Strength Aluminum Extruded Floor, Heavy Duty Extruded Rubrail,
 4" x .125 Aluminum Channel Crossmembers w/ Approx. 12" Spacing,
 Extruded Aluminum Tie Rail w/ Stake Pockets, Corrosion Resistant,
 Adjustable Height Louvered Headache Rack w/ LED Lights ,
 3" Steel Channel Long Sills are Adjustable to 34", 38" or 42" Frame,
 Heavy Duty Treadbrite Tailboard, LED Clearance & Side Marker Lights,
 LED (6) Stop, Turn, & Tail, and (4) Back-up Lights, Dual Tag Lights,
 Sealed Wiring Harness w/ Plug-in Connections,
 30K Mounting Plate w/ 2-5/16" Ball & Flush Mount Lid,
 Ready to Accept Hillsboro B&W Conversion Kit



7' 0" WIDTH

ITEM			WEIGHT(LBS)	REF#	LIST PRICE
74245	ALT7.0-7.0-A-40-EXT 45 Deg F/G	C/A-40"	433	AL430FG43	\$ 4,471
74246	ALT7.0-8.5-A-56-EXT 45 Deg F/G	C/A- 56"	485	AL630FG34	\$ 4,719
74247	ALT7.0-9.33-A-60-EXT 45 Deg F/G	C/A-60"	503	AL630FG90	\$ 4,792

8' 6" WIDTH

ITEM			WEIGHT(LBS)	REF#	LIST PRICE
74413	ALT8.5-8.5-A-56-EXT 45 Deg F/G	C/A-56"	532	AL140FG01	\$ 5,326
74422	ALT8.5-9.33-A-60-EXT 45 Deg F/G	C/A-60"	547	AL140FG73	\$ 5,419
74415	ALT8.5-10.5-A-84-EXT 45 Deg F/G	C/A-84"	596	AL640FG73	\$ 6,069
74416	ALT8.5-11.33-A-84-EXT 45 Deg F/G	C/A-84"	616	AL840FG00	\$ 6,234

2000 SERIES ACCESSORIES AND OPTIONS (Not Installed)

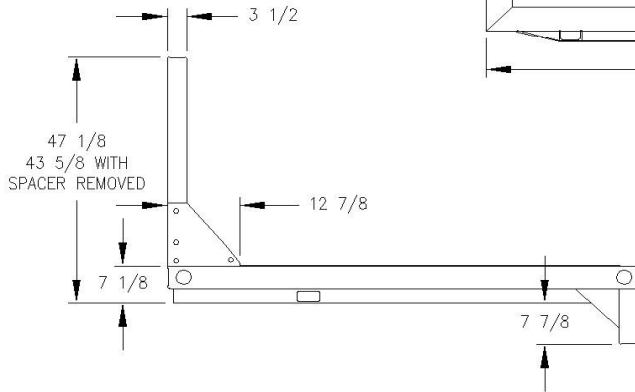
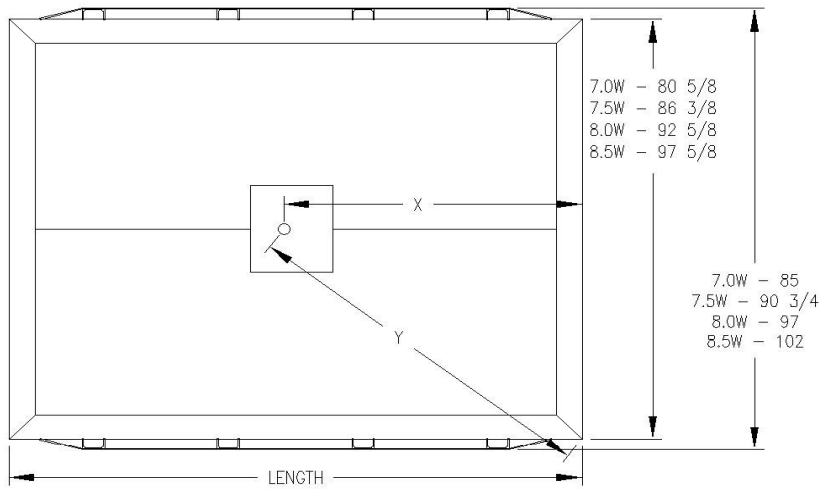
MUDFLAPS			REF#	LIST PRICE
232953	MUD FLAP -.375X18X30 W/ 2005 H LOGO	(\$44 Each \$88 Per Pair)	MI000TS34	\$ 44
232954	MUD FLAP -.375X24X30 W/ 2005 H LOGO	(\$47 Each \$94 Per Pair)	MI000TS36	\$ 47

FUEL ACCESSORIES			REF#	LIST PRICE
72168	ALT HD Fuel Filler Kit - Series 2000		KI000EC39	\$ 51
74648	ALT DEF Filler Kit		KI000EC36	\$ 47

ALUM BED OPTIONS (Installed)			REF#	LIST PRICE
X8008	ALT 46" HEADACHE RACK, ILOS		AL400ES59	\$ 596
X8007	ALT 52" HEADACHE RACK, ILOS		AL600ES07	\$ 788
X8005	ALT 6" STRINGER OPTION, ILOS 3"		AL000ES35	\$ 45
X8004	ALT STAKE POCKETS & TIE RAIL @ REAR		AL100ES56	\$ 203
X8003	ALT DELETE MNTG PLATE & LID	Requires Stake Pockets and Tie Rails	AL000ES00	\$ -
X8001	ALT DELETE HEADACHE RACK		AL00-ES15	\$ (115)
X8002	ALT DELETE STAKE POCKET & TIE RAIL	Requires Mounting Plate and Lid	AL000ES00	\$ -

ALL DIMENSIONS SHOWN ARE THE SAME FOR BOTH TREAD BRITE FLOOR AND EXTRUDED FLOOR BEDS

FORWARD



BED LENGTH	LENGTH	STANDARD SQUARE CORNER BEDS				DIM X
		DIM Y				
		7.0' WIDE	7.5' WIDE	8.0' WIDE	8.5' WIDE	
7.0'	84"	65"	68 3/8"	70 3/8"	72"	51"
8.5'	102"	66 9/16"	68 3/8"	70 3/8"	72"	53"
9.33'	112"	69"	70 3/4"	72 11/16"	74 1/4"	56"
10.5'	126"	66 9/16"	68 3/8"	70 3/8"	72"	53"
11.33'	136"	69"	70 3/4"	72 11/16"	74 1/4"	56"
12.0'	144"	61 15/16"	63 7/8"	66"	67 3/4"	47"

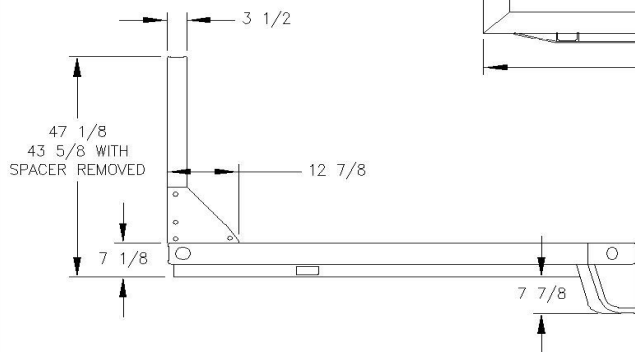
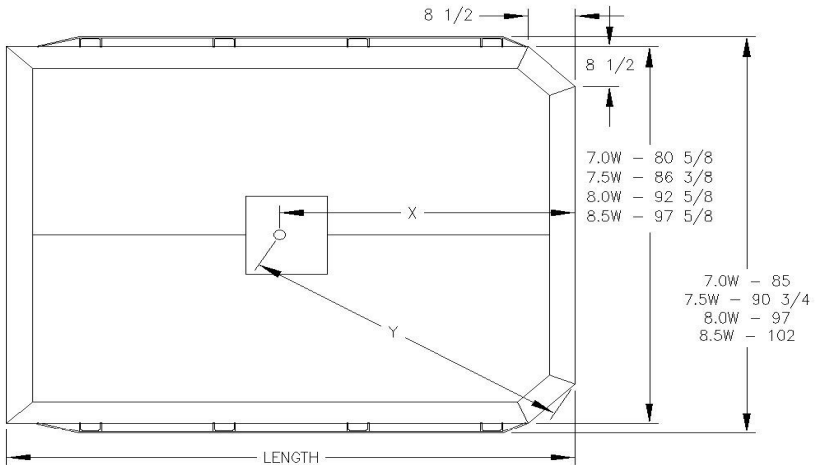
TITLE S2000 ALUMINUM TRUCK BED DIMENSIONS

DWG NO. ?????	REV G	DATE 2-2-12	DRAWN BY EMC	SCALE 1/20	PAGE
---------------	-------	-------------	--------------	------------	------

Hillsboro Industries
220 Industrial Road
Hillsboro, KS 67063
1-800-835-0209
hi@hillsboroindustries.com
www.hillsboroindustries.com

ALL DIMENSIONS SHOWN ARE THE SAME FOR BOTH TREAD BRITE FLOOR AND EXTRUDED FLOOR BEDS

FORWARD



BED LENGTH	LENGTH	CHAMFERED CORNER BEDS				DIM X
		DIM Y				
		7.0' WIDE	7.5' WIDE	8.0' WIDE	8.5' WIDE	
7.0'	84"	60"	63 3/8"	65 1/8"	66 1/2"	51"
8.5'	102"	61 7/8"	63 3/8"	65 7/8"	69"	53"
9.33'	112"	64 3/8"	65 7/8"	67 1/2"	69"	56"
10.5'	126"	61 7/8"	63 3/8"	65 1/8"	66 1/2"	53"
11.33'	136"	64 3/8"	65 7/8"	67 1/2"	69"	56"
12.0'	144"	56 3/4"	58 1/2"	60 1/4"	61 7/8"	47"

TITLE S2000 ALUMINUM TRUCK BED DIMS - CHAMFERED

DWG NO. ?????	REV F	DATE 2-2-12	DRAWN BY EMC	SCALE 1/20	PAGE
---------------	-------	-------------	--------------	------------	------

Hillsboro Industries
220 Industrial Road
Hillsboro, KS 67063
1-800-835-0209
hi@hillsboroindustries.com
www.hillsboroindustries.com