

STANDARD EQUIPMENT

5 YEAR LIMITED WARRANTY
 Lippert 3500 lb. Class Axle w/ E-Z Lube Spindles/2700 lb. Rating
 14" Aluminum Wheels w/ ST205/75R14 LR C Tires, Bed Height 16"
 GVWR Rating 2990 lbs, LED Lighting, Safety Cables
 A-Frame Type Tongue w/ 3500 lb. Rated Ball Coupler
 1200 lb Rated Swivel Jack, Extruded Plank Flooring
 Strap Securement Locations on 12" Centers on Sides, 3 on Front
 2 Stake Pockets per Side w/ 4 Total, 6" Tall Tube Sides & Front
 Gusseted Fenders w/ Vinyl Gravel Guard, Full Width 48" Long Ramp



ITEM		OVERALL W x L	BED W x L	WEIGHT(LBS)	REF#	LIST PRICE
68005-001	AU70x10 AL Utility Trailer F/G	92" x 170"	70" x 120"	566	AL130NE20	\$ 4,052
68006-001	AU70x12 AL Utility Trailer F/G	92" x 196"	70" x 144"	605	AL230NE80	\$ 4,260
68007-001	AU70x14 AL Utility Trailer F/G	92" x 218"	70" x 168"	644	AL430NE26	\$ 4,449
68009-001	AU78x10 AL Utility Trailer F/G	102" x 170"	78" x 120"	596	AL230NE49	\$ 4,219
68010-001	AU78x12 AL Utility Trailer F/G	102" x 196"	78" x 144"	638	AL430NE26	\$ 4,449
68011-001	AU78x14 AL Utility Trailer F/G	102" x 218"	78" x 168"	681	AL630NE19	\$ 4,700

ONE-PIECE UTILITY ACCESSORIES AND OPTIONS

FRONT ROCK GUARD OPTIONS		REF#	LIST PRICE
68194	Stone Guard 70" Kit	KI200KI58	\$ 335
68195	Stone Guard 78" Kit	KI200KI93	\$ 381

SOLID SIDE OPTIONS		REF#	LIST PRICE
68197	Side Formed 10' Kit	KI400KI35	\$ 565
68198	Side Formed 12' Kit	KI500KI23	\$ 679
68199	Side Formed 14' Kit	KI600KI07	\$ 788

ACCESSORIES		REF#	LIST PRICE
233766	FULTON TONGUE HANDLE	CH0701	MI000 P16 \$ 21
68190	ROPE HOOK KIT	Includes (4) S Hooks	KI000KI18 \$ 23
68263	TOOLNSPARE BOX KIT		KI600KI83 \$ 887
234291	TIRE & WHEEL ST205/75R14C W/AL LION	Castle Rock	TI100WH93 \$ 251
68189	AL UTILITY SPARE TIRE CARRIER KIT		KI100KI12 \$ 145

STANDARD EQUIPMENT

5 YEAR LIMITED WARRANTY
 Lippert 3500 lb. Class Axle w/ E-Z Lube Spindles/2700 lb. Rating
 14" Aluminum Wheels w/ ST205/75R14 LR C Tires, Bed Height 16"
 GVWR Rating 2990 lbs, LED Lighting, Safety Cables
 A-Frame Type Tongue w/ 3500 lb. Rated Ball Coupler
 1200 lb Rated Swivel Jack, Extruded Plank Flooring
 Strap Securement Locations on 12" Centers on Sides, 3 on Front
 2 Stake Pockets per Side w/ 4 Total, 6" Tall Tube Sides & Front
 Gusseted Fenders w/ Vinyl Gravel Guard, Full Width 54" "Bi-Fold" Ramp



ITEM		OVERALL W x L	BED W x L	WEIGHT(LBS)	REF#	LIST PRICE
68005-002	AU70x10 AL Utility Trailer F/G	92" x 170"	70" x 120"	566	AL330NE44	\$ 4,343
68006-002	AU70x12 AL Utility Trailer F/G	92" x 196"	70" x 144"	605	AL530NE03	\$ 4,549
68007-002	AU70x14 AL Utility Trailer F/G	92" x 218"	70" x 168"	644	AL630NE48	\$ 4,738
68009-002	AU78x10 AL Utility Trailer F/G	102" x 170"	78" x 120"	596	AL430NE74	\$ 4,512
68010-002	AU78x12 AL Utility Trailer F/G	102" x 196"	78" x 144"	638	AL630NE48	\$ 4,738
68011-002	AU78x14 AL Utility Trailer F/G	102" x 218"	78" x 168"	681	AL830NE42	\$ 4,990

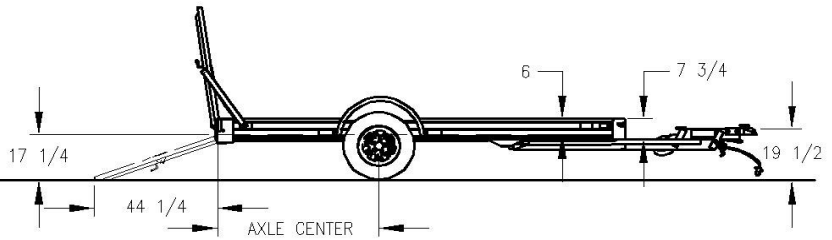
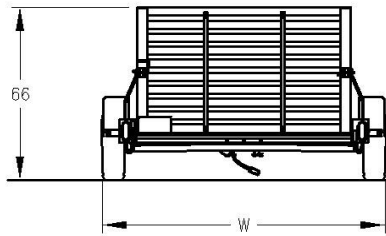
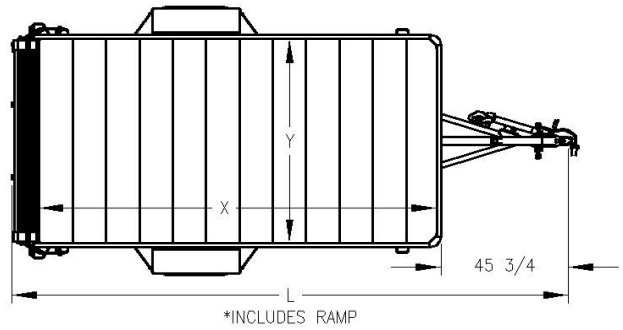
BI-FOLD UTILITY ACCESSORIES AND OPTIONS

FRONT ROCK GUARD OPTIONS		REF#	LIST PRICE
68194	Stone Guard 70" Kit	KI200KI58	\$ 335
68195	Stone Guard 78" Kit	KI200KI93	\$ 381

SOLID SIDE OPTIONS		REF#	LIST PRICE
68197	Side Formed 10' Kit	KI400KI35	\$ 565
68198	Side Formed 12' Kit	KI500KI23	\$ 679
68199	Side Formed 14' Kit	KI600KI07	\$ 788

ACCESSORIES		REF#	LIST PRICE
233766	FULTON TONGUE HANDLE	CH0701	MI000 P16 \$ 21
68190	ROPE HOOK KIT	Includes (4) S Hooks	KI000KI18 \$ 23
68263	TOOLNSPARE BOX KIT		KI600KI83 \$ 887
234291	TIRE & WHEEL ST205/75R14C W/AL LION	Castle Rock	TI100WH93 \$ 251
68189	AL UTILITY SPARE TIRE CARRIER KIT		KI100KI12 \$ 145

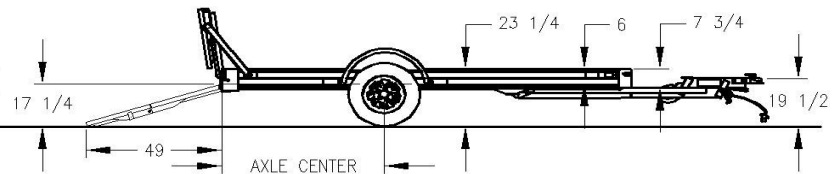
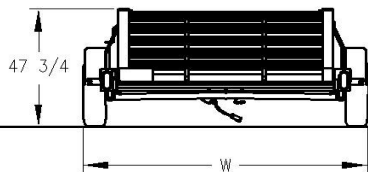
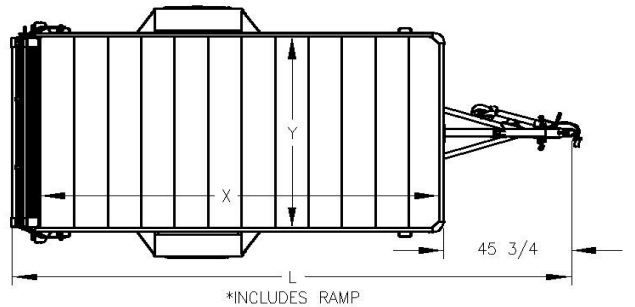
DIMENSIONS (INCHES)					
MODEL #	DIM X	DIM Y	DIM W	DIM L	AXLE CENTER
AU 548	96	54	78	152	37
AU 5410	120	54	78	176	48
AU 5412	144	54	78	200	58
AU 708	96	70	92	152	37
AU 7010	120	70	92	176	48
AU 7012	144	70	92	200	58
AU 7014	168	70	92	224	69
AU 7810	120	78	102	176	48
AU 7812	144	78	102	200	58
AU 7814	168	78	102	224	69



ALL DIMENSIONS ARE APPROXIMATE FOR STANDARD TRAILER IN UNLOADED CONDITION

TITLE ALUMINUM UTILITY TRAILER FIXED RAMP						Hillsboro Industries 220 Industrial Road Hillsboro, KS 67063		1-800-835-0209 hi@hillsboroindustries.com www.hillsboroindustries.com	
DWG NO. ??????	REV A	DATE 8-17	DRAWN BY NWM	SCALE 1/50	PAGE 1 OF 1				

DIMENSIONS (INCHES)					
MODEL #	DIM X	DIM Y	DIM W	DIM L	AXLE CENTER
AU 548	96	54	78	152	37
AU 5410	120	54	78	176	48
AU 5412	144	54	78	200	58
AU 708	96	70	92	152	37
AU 7010	120	70	92	176	48
AU 7012	144	70	92	200	58
AU 7014	168	70	92	224	69
AU 7810	120	78	102	176	48
AU 7812	144	78	102	200	58
AU 7814	168	78	102	224	69



ALL DIMENSIONS ARE APPROXIMATE FOR STANDARD TRAILER IN UNLOADED CONDITION

TITLE ALUMINUM UTILITY TRAILER BI-FOLD RAMP						Hillsboro Industries 220 Industrial Road Hillsboro, KS 67063		1-800-835-0209 hi@hillsboroindustries.com www.hillsboroindustries.com	
DWG NO. ??????	REV A	DATE 8-17	DRAWN BY NWM	SCALE 1/50	PAGE 1 OF 1				