

**STANDARD EQUIPMENT**

10 YEAR LIMITED WARRANTY  
 All Aluminum Construction w/ an Extruded Floor, Rub Rail & Tie Rail,  
 2" X 3" Extruded Tubing Crossmember on 16" Centers for Maximum Torsional Rigidity ,  
 2 – 3500 lb Torsion Axles, 15" Aluminum Wheels w/ ST205/75R 15D Tires,  
 GVWR Rating 7770 lbs, 2000 lb Rated Tongue Jack, LED Lighting,  
 2 5/16" Coupler. 16" Height, Safety Chains & Safety Breakaway System,  
 4 – 6,000 lb Rated Tie Downs, 20" Load Height,  
 7' 6" X 12" Wide HD Ramps (2000 lb Each) Weighing 31 lb. Each,  
 2 – Hillsboro Exclusive Drop Down Rear Stabilizer Jacks  
 2 – Removable Aluminum Fenders – 82 ½" Between Fenders



**2 RAMP**

| ITEM  | DESCRIPTION        | AXLE   | WEIGHT(LBS) | GVWR | REF#      | LIST PRICE |
|-------|--------------------|--------|-------------|------|-----------|------------|
| 75100 | AOCT3.5K-16 2R F/G | 2-3.5K | 1300        | 7770 | AL680NE19 | \$ 11,194  |
| 75101 | AOCT3.5K-18 2R F/G | 2-3.5K | 1350        | 7770 | AL780NE84 | \$ 11,408  |
| 75102 | AOCT3.5K-20 2R F/G | 2-3.5K | 1400        | 7770 | AL980NE49 | \$ 11,622  |

**3 RAMP**

| ITEM      | DESCRIPTION        | AXLE   | WEIGHT(LBS) | GVWR | REF#      | LIST PRICE |
|-----------|--------------------|--------|-------------|------|-----------|------------|
| 75100-003 | AOCT3.5K-16 3R F/G | 2-3.5K | 1380        | 7770 | AL290NE22 | \$ 11,977  |
| 75101-003 | AOCT3.5K-18 3R F/G | 2-3.5K | 1430        | 7770 | AL390NE89 | \$ 12,194  |
| 75102-003 | AOCT3.5K-20 3R F/G | 2-3.5K | 1480        | 7770 | AL590NE54 | \$ 12,408  |

**ACCESSORIES AND OPTIONS (Not Installed)**

| ITEM   | DESCRIPTION                         | REF#                      | LIST PRICE       |
|--------|-------------------------------------|---------------------------|------------------|
| 75246  | AOCT Stone Guard Kit                | KI800KI23                 | \$ 1,069         |
| 75250  | AOCT Bumpail Kit                    | KI100KI78                 | \$ 231           |
| 75257  | AOCT Winch mount Kit                | KI000KI79                 | \$ 103           |
| 234292 | TIRE & WHEEL ST205/75R15D W/AL LION | Castle Rock, 3500 LB AXLE | TI200WH16 \$ 281 |
| 75290  | AOCT Tongue Toolbox Kit             | KI900KI58                 | \$ 1,244         |

### STANDARD EQUIPMENT

10 YEAR LIMITED WARRANTY  
 All Aluminum Construction w/ an Extruded Floor, Rub Rail & Tie Rail,  
 2" X 3" Extruded Tubing Crossmember on 16" Centers for Maximum Torsional Rigidity ,  
 2 – 5200 lb Torsion Axles, 15" Aluminum Wheels w/ ST225/75R 15E Tires,  
 GVWR Rating 9990 lbs, 2000 lb Rated Tongue Jack, LED Lighting,  
 2 5/16" Coupler. 20" Height, Safety Chains & Safety Breakaway System,  
 4 – 6,000 lb Rated Tie Downs, 21.5" Load Height,  
 6' X 12" Wide HD Ramps (2500 lb Each) Weighing 25.4 lb. Each,  
 2 – Hillsboro Exclusive Drop Down Rear Stabilizer Jacks  
 2 – Removable Aluminum Fenders – 82 ½" Between Fenders



### 2 RAMP

| ITEM  | Description        | AXLE | WEIGHT(LBS) | GVWR | REF#      | LIST PRICE |
|-------|--------------------|------|-------------|------|-----------|------------|
| 75111 | AOCT5.2K-18 2R F/G | 5.2K | 1680        | 9990 | AL301NE59 | \$ 13,453  |
| 75112 | AOCT5.2K-20 2R F/G | 5.2K | 1730        | 9990 | AL601NE70 | \$ 13,857  |
| 75113 | AOCT5.2K-22 2R F/G | 5.2K | 1780        | 9990 | AL011NE36 | \$ 14,332  |
| 75114 | AOCT5.2K-24 2R F/G | 5.2K | 1830        | 9990 | AL311NE48 | \$ 14,738  |

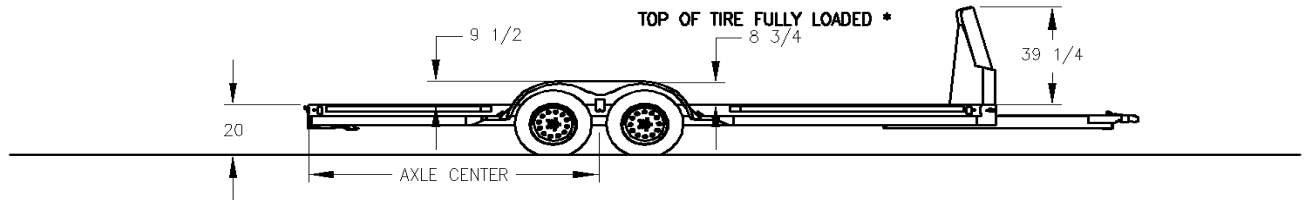
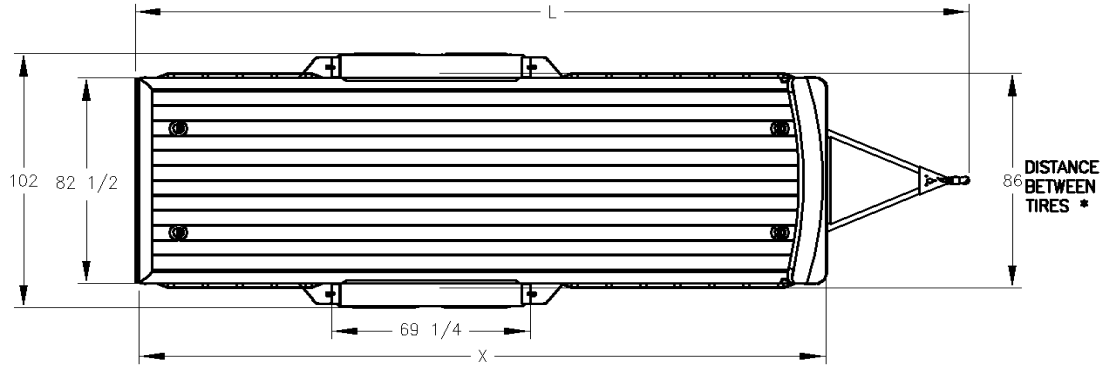
### 3 RAMP

| ITEM      | Description        | AXLE | WEIGHT(LBS) | GVWR | REF#      | LIST PRICE |
|-----------|--------------------|------|-------------|------|-----------|------------|
| 75112-003 | AOCT5.2K-20 3R F/G | 5.2K | 1810        | 9990 | AL211NE75 | \$ 14,643  |
| 75113-003 | AOCT5.2K-22 3R F/G | 5.2K | 1860        | 9990 | AL611NE39 | \$ 15,116  |
| 75114-003 | AOCT5.2K-24 3R F/G | 5.2K | 1910        | 9990 | AL911NE51 | \$ 15,521  |

### ACCESSORIES AND OPTIONS (Not Installed)

| ITEM   | Description                         | REF#                      | LIST PRICE       |
|--------|-------------------------------------|---------------------------|------------------|
| 75246  | AOCT Stone Guard Kit                | KI800KI23                 | \$ 1,069         |
| 75250  | AOCT Bumptrail Kit                  | KI100KI78                 | \$ 231           |
| 75257  | AOCT Winch mount Kit                | KI000KI79                 | \$ 103           |
| 234293 | TIRE & WHEEL ST225/75R15E W/AL LION | Castle Rock, 5200 LB AXLE | MI200 P62 \$ 340 |
| 75290  | AOCT Tongue Toolbox Kit             | KI900KI58                 | \$ 1,244         |

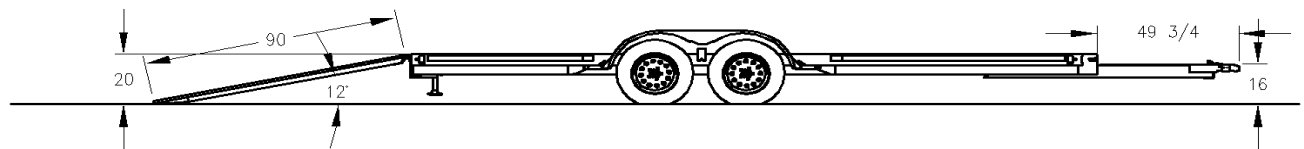
| DIMENSIONS (INCHES) |       |       |             |
|---------------------|-------|-------|-------------|
| MODEL #             | DIM X | DIM L | AXLE CENTER |
| CH16RD              | 192   | 244   | 78          |
| CH18RD              | 216   | 268   | 90          |
| CH20RD              | 240   | 292   | 102         |



ALL DIMENSIONS ARE APPROXIMATE FOR  
STANDARD TRAILER IN UNLOADED CONDITION

SHOWN WITH OPTIONAL AERO GUARD  
\* WHEN FENDER REMOVED

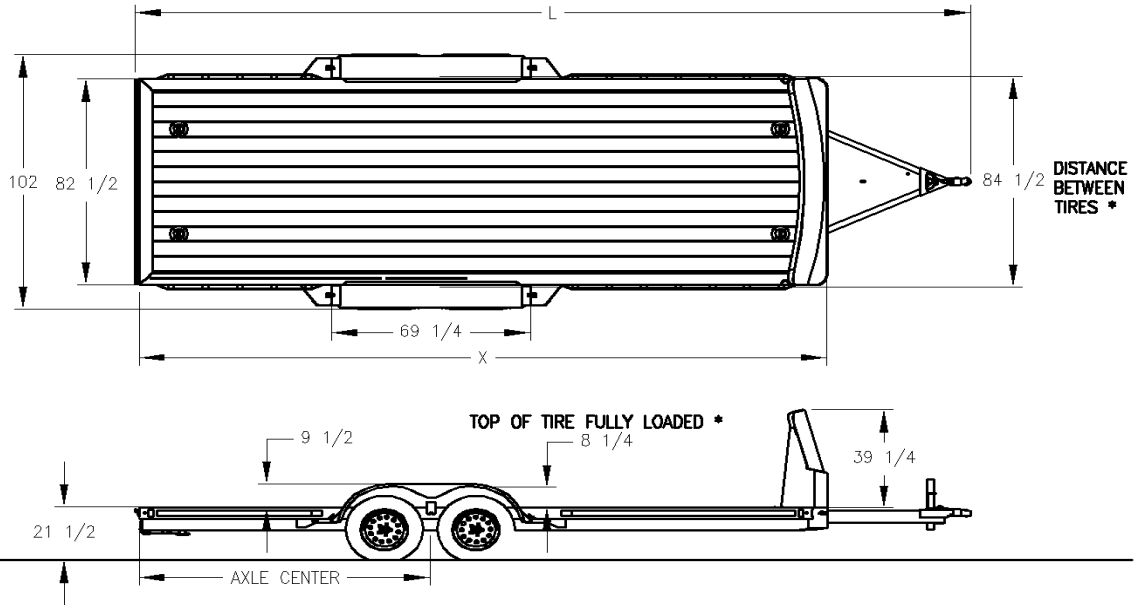
|                                 |          |              |                 |               |                |  |   |
|---------------------------------|----------|--------------|-----------------|---------------|----------------|--|---|
| TITLE<br>RD ALUMINUM CAR HAULER |          |              |                 |               |                | Hillsboro Industries<br>220 Industrial Road<br>Hillsboro, KS 67063 | 1-800-835-0209<br>hi@hillsboroindustries.com<br>www.hillsboroindustries.com |
| DWG NO.<br>?????                | REV<br>A | DATE<br>6-18 | DRAWN BY<br>APD | SCALE<br>1/50 | PAGE<br>1 OF 1 |  |   |



ALL DIMENSIONS ARE APPROXIMATE FOR  
STANDARD TRAILER IN UNLOADED CONDITION

|                                  |          |              |                 |               |                |  |   |
|----------------------------------|----------|--------------|-----------------|---------------|----------------|--|---|
| TITLE<br>RD ALUMINUM CAR TRAILER |          |              |                 |               |                | Hillsboro Industries<br>220 Industrial Road<br>Hillsboro, KS 67063 | 1-800-835-0209<br>hi@hillsboroindustries.com<br>www.hillsboroindustries.com |
| DWG NO.<br>?????                 | REV<br>A | DATE<br>6-18 | DRAWN BY<br>APD | SCALE<br>1/50 | PAGE<br>1 OF 1 |  |   |

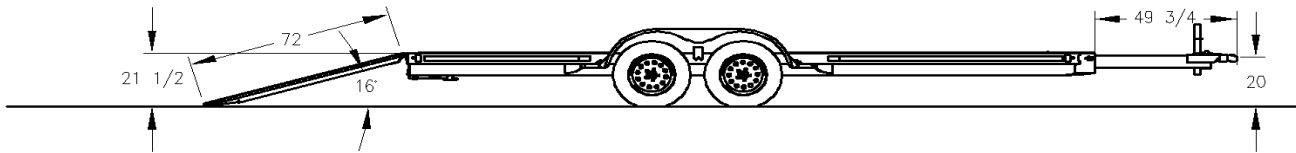
| DIMENSIONS (INCHES) |       |       |             |
|---------------------|-------|-------|-------------|
| MODEL #             | DIM X | DIM L | AXLE CENTER |
| CH20HD              | 240   | 292   | 102         |
| CH22HD              | 264   | 316   | 108         |
| CH24HD              | 288   | 340   | 114         |



ALL DIMENSIONS ARE APPROXIMATE FOR  
STANDARD TRAILER IN UNLOADED CONDITION

SHOWN WITH OPTIONAL AERO GUARD  
\* WHEN FENDER REMOVED

|                                 |          |               |                 |               |                |  |  |   |  |
|---------------------------------|----------|---------------|-----------------|---------------|----------------|--|--|---|--|
| TITLE<br>HD ALUMINUM CAR HAULER |          |               |                 |               |                | Hillsboro Industries<br>220 Industrial Road<br>Hillsboro, KS 67063 |  | 1-800-835-0209<br>hi@hillsboroindustries.com<br>www.hillsboroindustries.com |  |
| DWG NO.<br>?????                | REV<br>A | DATE<br>12-18 | DRAWN BY<br>APD | SCALE<br>1/50 | PAGE<br>1 OF 1 |  |  |   |  |



ALL DIMENSIONS ARE APPROXIMATE FOR  
STANDARD TRAILER IN UNLOADED CONDITION

|                                  |          |               |                 |               |                |  |  |   |  |
|----------------------------------|----------|---------------|-----------------|---------------|----------------|--|--|---|--|
| TITLE<br>HD ALUMINUM CAR TRAILER |          |               |                 |               |                | Hillsboro Industries<br>220 Industrial Road<br>Hillsboro, KS 67063 |  | 1-800-835-0209<br>hi@hillsboroindustries.com<br>www.hillsboroindustries.com |  |
| DWG NO.<br>?????                 | REV<br>A | DATE<br>12-18 | DRAWN BY<br>APD | SCALE<br>1/50 | PAGE<br>1 OF 1 |  |  |   |  |